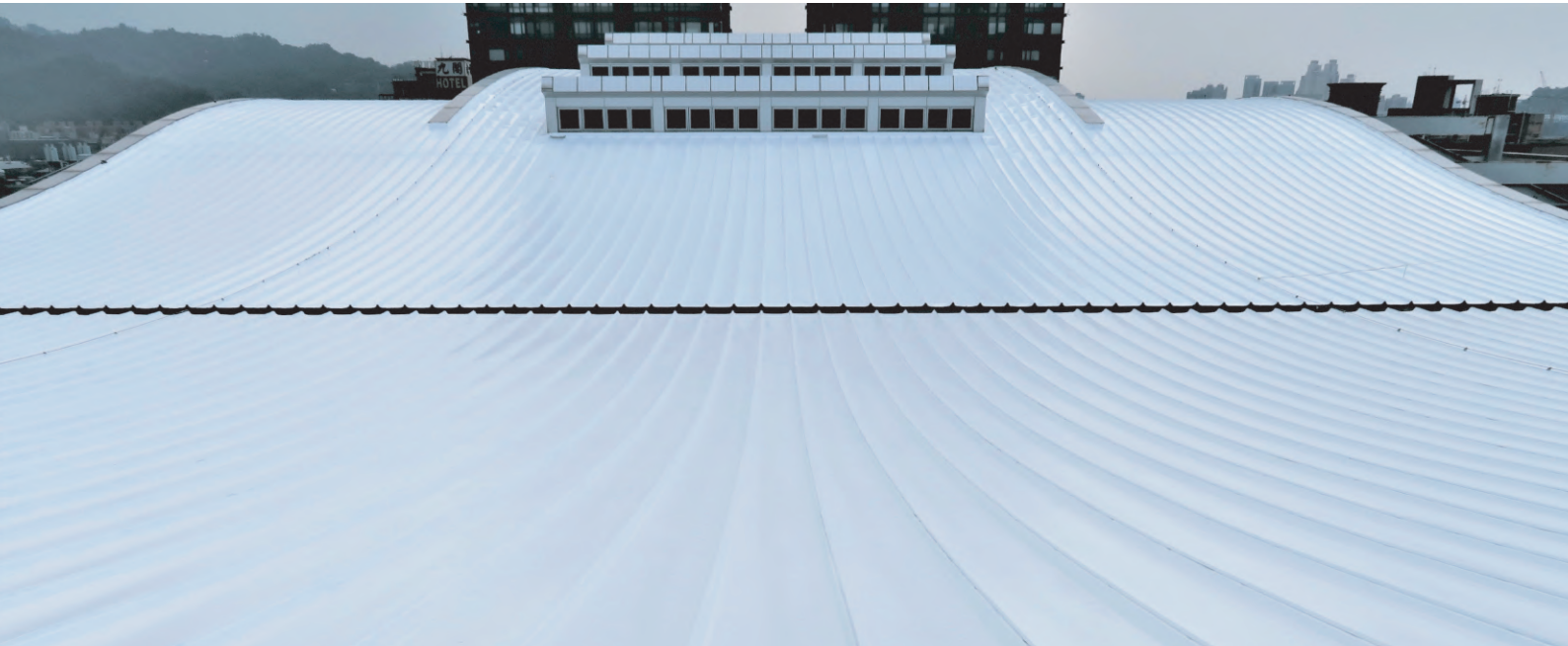


OASIIS case study

>> Metal Roof Sheet Waterproofing



Object: Top Church in northern Taiwan

Top Church is located on the top floor of MRT Xiaobitan Station on the right bank of Xindian River. It shares structure with MRT station and there's a shopping mall in the building. All the spaces have to look their best, especially the church plays an important role in people's life. In the past years, it had suffered an issue of leak from the roof.

Problem Definition

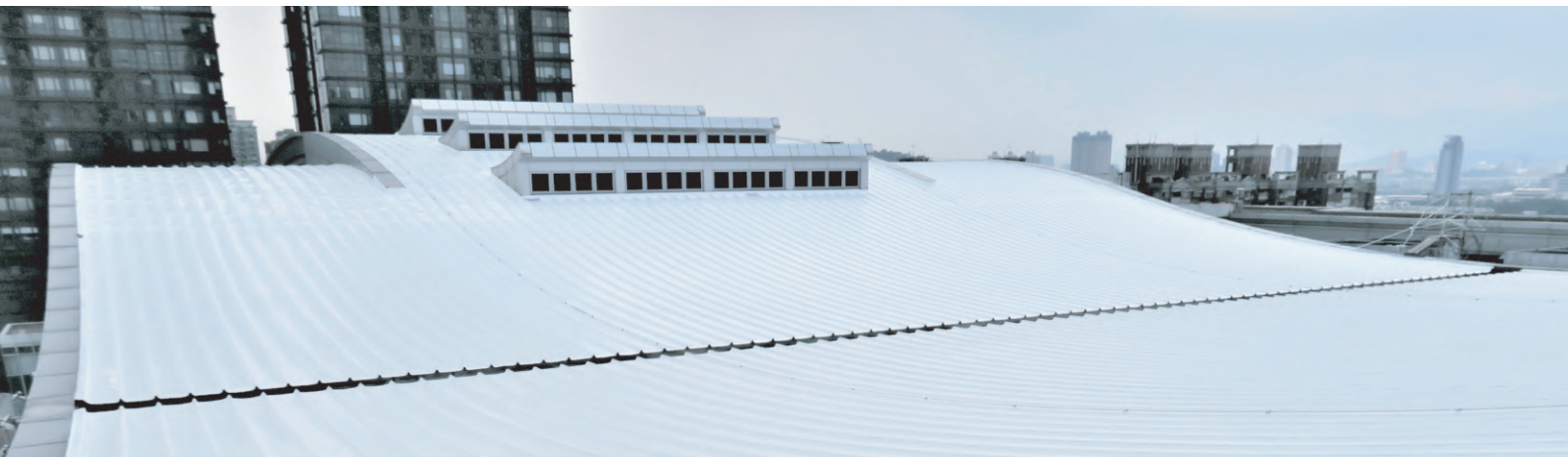
The average of rainfall in Taiwan is more than 2500 millimeters per year, especially the typhoon season from July to September. The church faces the difficult seasonal variation and rainfall. In addition, there were leaks in the roof before the installation of OASIIS coating. The roof had maintained several times with different coating material but the treatment failed to stop leakage.



Requirement:

Weather resistance, flexibility waterproofing coat and low maintenance are the most important criteria when choosing the materials for the protective roof system. Top Church roof needed total repair and to be coated for leaks and maintaining the metal sheets. It was important that the chosen roof weatherproofing systems was hazard free and caused no disruption to any daily activities during the application.

OASIIS

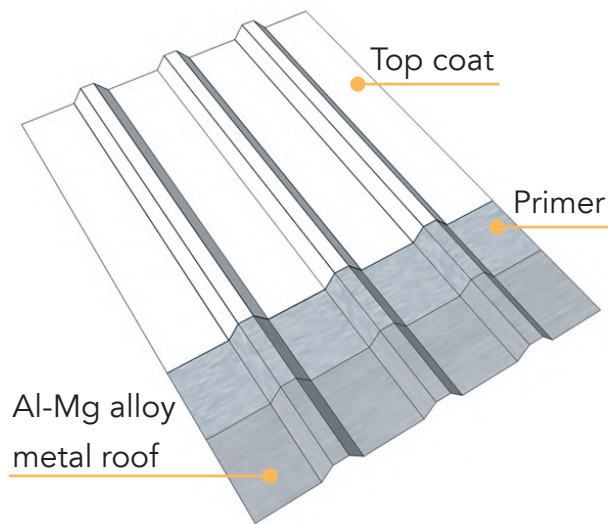


Solution:

OASGUARD is one component polyurethane system, was chosen as it could easily be applied around details to provide seamless waterproofing when applied directly over the existing or new construction. It is especially suited for use in hot, humid climates due to its ability to withstand extreme temperature ranges without deterioration. It is highly elastomeric and able to tolerate thermal and structural movement.

The top coating of OASGUARD can reflect sun-light and helps reduce heat transferring interior of buildings. As the application is finished, the maintain can be easily applied by recoat the top coat.

SYSTEM BUILD-UP



Structure and system components

| | |
|-----------|-------------------------------------|
| Top coat | OASLASTIC TC-172 |
| Primer | OASPRIMER185 |
| Substrate | Aluminum-magnesium alloy metal roof |

*This system build-up is for all flat and curved surface of metal sheets.

APPLICATION FIELDS

- Exposed roof and gutters new metal sheets of roofing
- Refurbishment project of metal roof

SYSTEM BENEFITS

- High sun reflectivity index (SRI)
- Excellent flexibility
- Easy apply and maintain
- Anti-corrosive finishing
- UV resistance and color stability

SYSTEM HIGHLIGHTS

- Quick and simple application
- High solar-reflectivity reduces heat transferred into the building's interior
- Anti-corrosive and good durability
- Easy clean

OASIIS